

# 4-way push button module

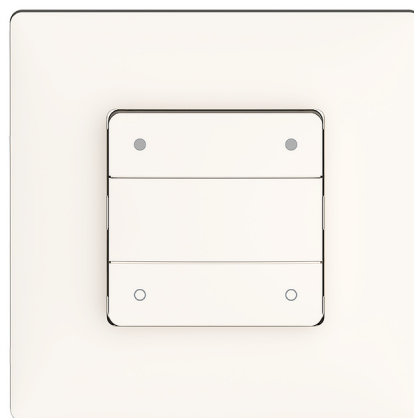
Item no.: 9070806

theben

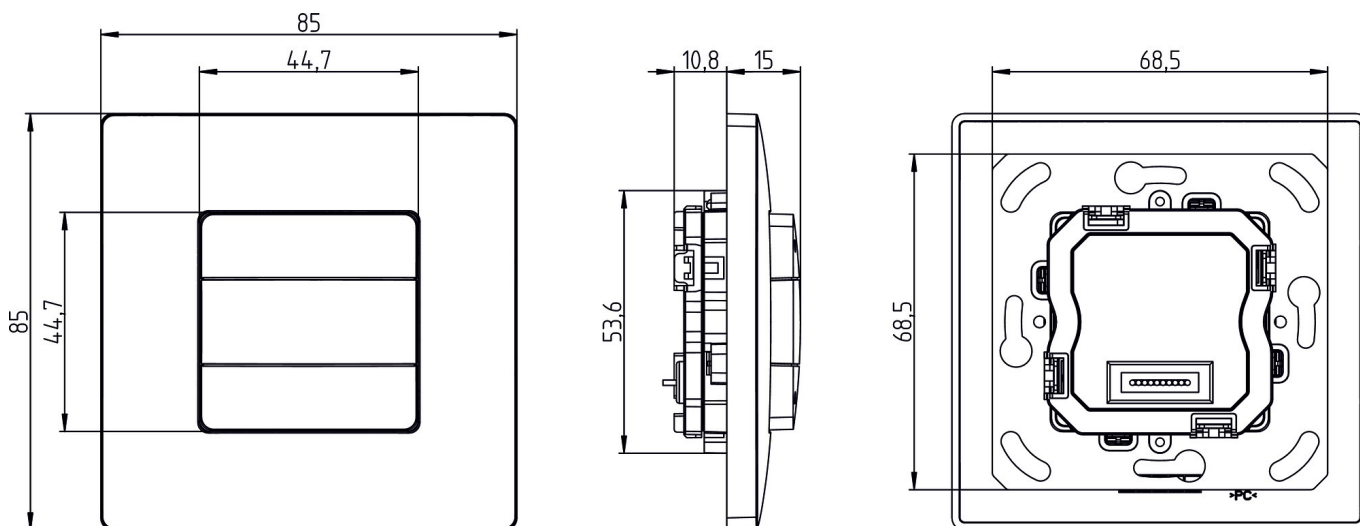
Accessories  
Others

## Description

- 4-way push button module with integrated temperature sensor
- For use with the TU 4 RF KNX / LUXORliving T4 RF and TA 6 S KNX
- Cover frame included
- Adapter frames for integration in common switching ranges available as accessory



## Scale drawings



Subject to technical changes and misprints

additional information at: [www.theben.de/product/9070806](http://www.theben.de/product/9070806)

The load data are determined with exemplary selected illuminants and are therefore typical data due to the large number of available products.